



Submittal Data Sheet: WMMS-24EF-M2B(59)4

INDOOR UNIT



WMMS-24EF-M2B(59)4



Job Name:		Tag #:	
Location		Date:	
Engineer:		Approval:	
Submitted to:		Unit #:	
Submitted by:		Drawing #:	
Reference		PO #:	

Recessed Ceiling Mount EF Unit

The EF indoor unit is the perfect solution for rooms where surface mounting is not an option. 09K, 12K, 18K, and 24K are available. Individual or centralized wall mounted controllers makes perfect climate control just a finger-touch away. EF units are efficient and quiet, and normally are installed above walk-in closets, foyers, or hallways.

ACCESSORIES

- THERMOSTAT
- COPPER/WIRE/ACC.SET
- BRIDGE CONTROLLER

Items	Unit / Conditions	WMMS-24EF-M2B(59)4	
Power Supply	Rated Voltage	208/230	
	Rated Frequency	60	
	Phases	1	
Cooling Capacity	Btu/h	24000	
Heating Capacity	Btu/h	27000	
Cooling Power Input	KW	0.21	
Heating Power Input	KW	0.21	
Cooling Current Input	A	0.9	
Heating Current Input	A	0.9	
Air flow volume	CFM	736/560/454/407	
Dehumidifying Volume	Pint/h	5.28	
Fan Type		Centrifugal	
Fan Quantity		2	
Fan Diameter-height	mm	202-107	
Fan Motor Speed	rpm	1050/800/650/580	
Fan Motor Power Output	W	200	
Fan Motor Power Input	W	/	
Motor Full Load mp(FLA)	A	/	
Fan Motor Capacitor	µF	/	
Evaporator	Evaporator Material	Copper tube-Aluminum fin	
	Evaporator Pipe Diameter	mm	Ø7.94
	Evaporator Number of Rows - Fin Pitch	mm	3-1.8
	Evaporator L x H x W	mm	753x308x57.2
Fuse Current	A	5	
Sound Pressure Level	dB (A)	42/36/32/28	
Sound Power Level	dB (A)	52/46/42/38	

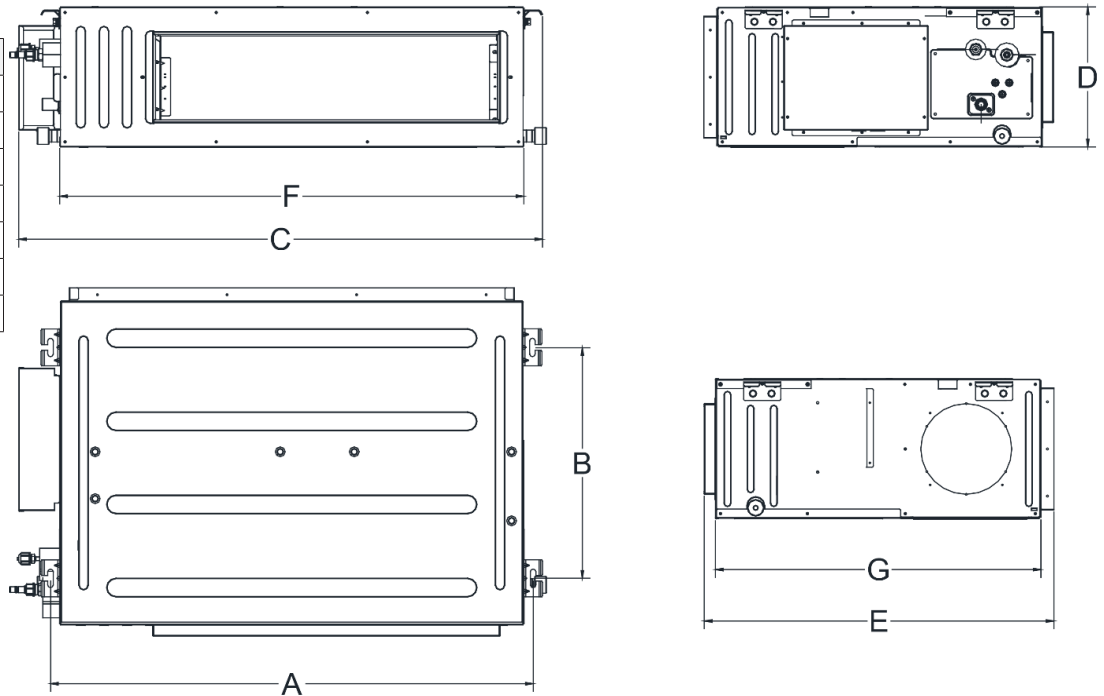
Model Number		WMMS-09EF-V2B(59)2
Connection Pipes		
Outer Diameter Liquid Pipe	inch	3/8"
Outer Diameter Gas Pipe	inch	5/8"
Outer Diameter Drain Hose Connection	mm	Ø25
Dimensions & Weight Indoor Unit		
Dimension of Unit W x H x D	inch	44 1/2" x 29 11/16" x 11 13/16"
Dimension of Package W x H x D	inch	47 7/16" x 32 1/64" x 14 11/64"
Net /Gross Weight	lb	92.61 / 106.94



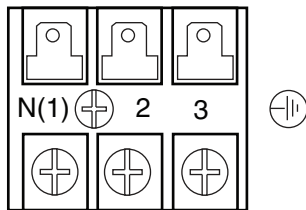
Submittal Data Sheet: WMMS-09EF-V2B(59)2

INDOOR UNIT

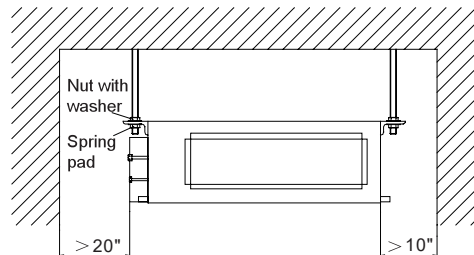
Dimensions (inches)	
A	40 15/16
B	19 11/16
C	44 1/2
D	11 13/16
E	29 11/16
F	39 3/8
G	27 9/16



TERMINAL BLOCK



CLEARANCES



FEATURES

- 208-230/1/60 power input
- Quiet and efficient heating & cooling.
- Wall Mount Controller
- Compatible with "U-TOUCH" Remote Control.
- Standard flare brass connection valves
- Knock-outs for refrigerant pipes and wires
- Built to ETL/UL/CSA/ARI standards
- Easy installation and maintenance

YMGI Group
 601 Arrow Ln, O'Fallon, Missouri 63366
 Phone: 1-866-833-3138
 Fax: 1-866-377-3355
 ymgigroup.com

Sales Representative or Distributor: